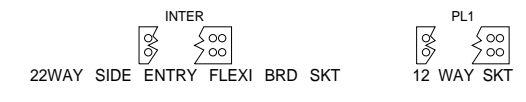
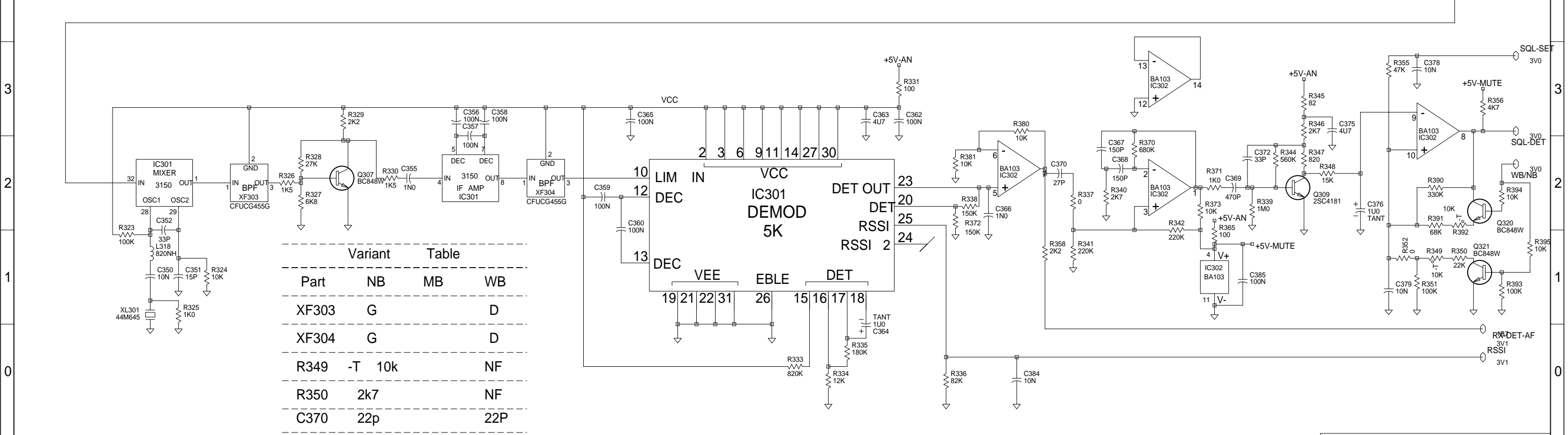
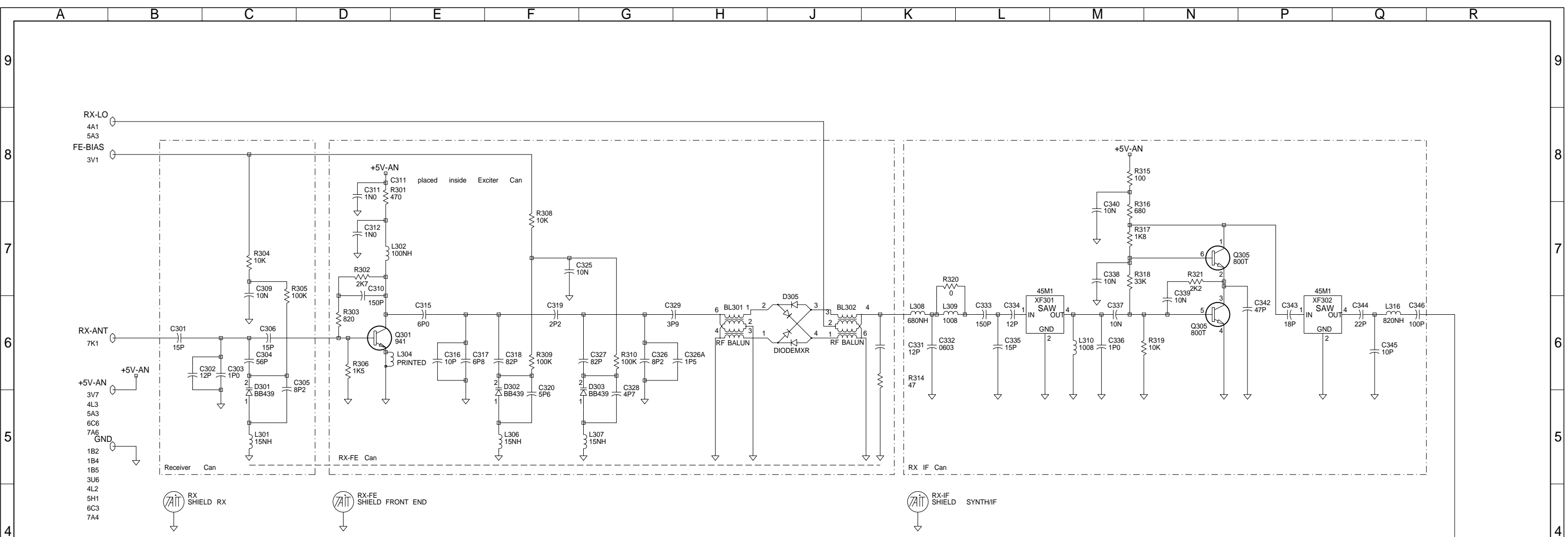


Sub UHF

01G	CCO NO 1503-009 DIG CAN ALT2	BRD			03-02-2K
01F	REFRESH D103	TS			08-10-99
01E	SEALS TO .NC. REGEN. PLA & PLC CCO No.005	TS			05-10-99
01D	4 SPRING PINS NOW 356-01077-00 SMT. CCO #1503-001	TS			14-09-99
01C	CHANGED PASTE TO SMALL TCXO	BRD			31-05-99
01B	500185 ROTATED C364 180 DEG TANT	BRD			05-03-99
08	UPDATED MUTE CIRCUITRY	DBH			
REV/ISS	AMENDMENTS	DRAWN	CHKD	D.O.	APVD DATE



© TAIT ELECTRONICS	
ORCA :TP010- 336-400MHZ SYSTEM DIAGRAM	
IPN: 220-01503-01	ISSUE: G 2.S.C. 1
PROJECT: ORCA BRD	DESIGNER: 150301g
FILE NAME: 7-Feb-00	NO.SHEETS: 7

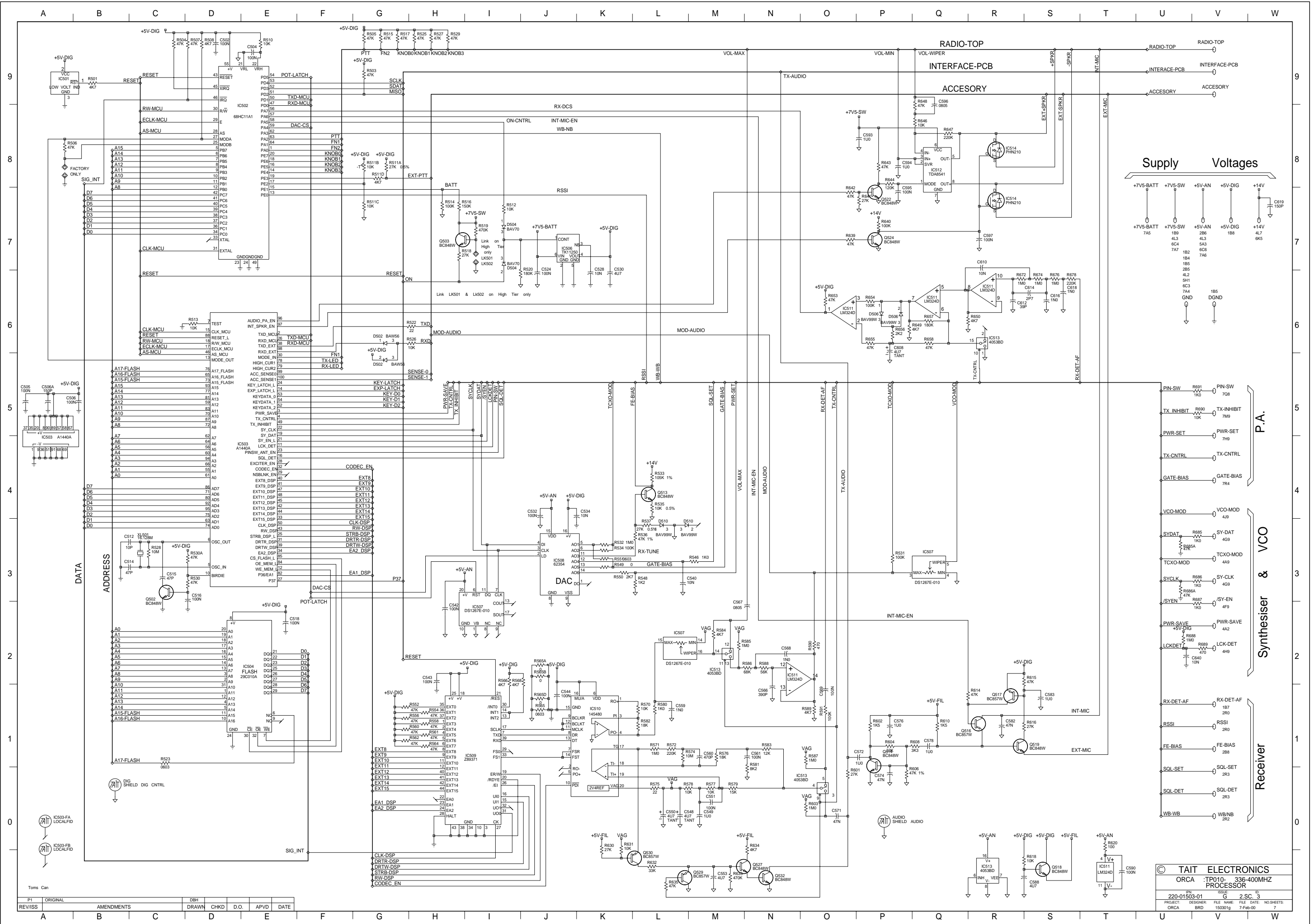


Variant Table

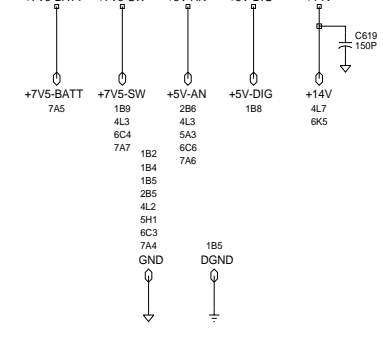
Part	NB	MB	WB
XF303	G		D
XF304	G		D
R349	-T	10k	NF
R350	2k7		NF
C370	22p		22P
C369	330P		330P

© TAIT ELECTRONICS
 ORCA :TP010- 336-400MHZ RECEIVER
 IPN: 220-01503-01 ISSUE: G ID: 2.S.C. 2
 PROJECT: ORCA DESIGNER: BRD FILE NAME: 150301g FILE DATE: 7-Feb-00 NO.SHEETS: 7

REV/ISS	AMENDMENTS	DRAWN	CHKD	D.O.	APVD	DATE
A						



Supply Voltages

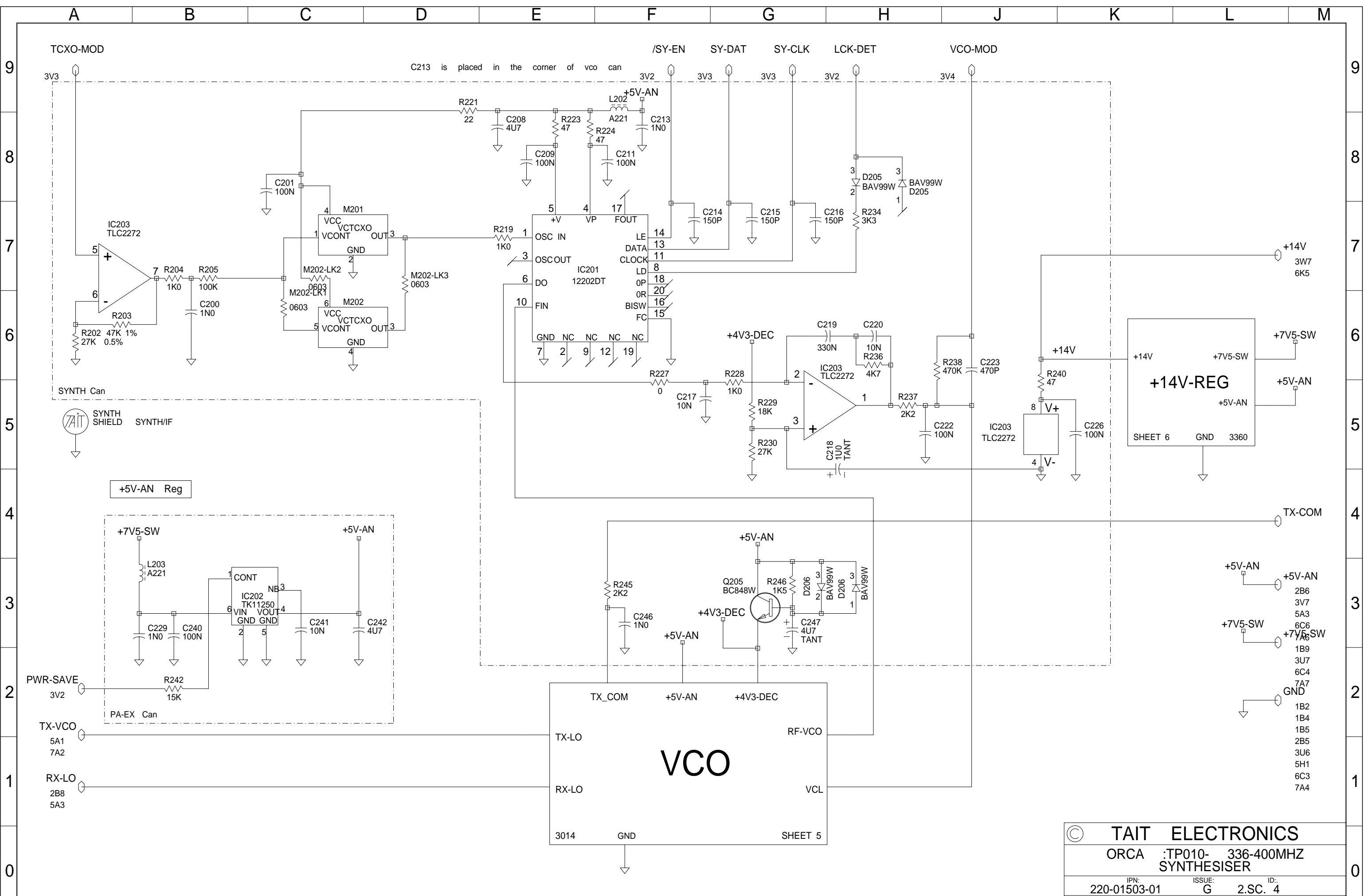


- P.A.
 - PIN-SW 708
 - TX-INHIBIT 709
 - PWR-SET 709
 - TX-CNTRL 709
 - GATE-BIAS 704
- Synthesiser & VCO
 - VCO-MOD 410
 - SY-DAT 409
 - TCXO-MOD 409
 - SY-CLK 409
 - SY-EN 409
 - PWR-SAVE 402
 - LCK-DET 409
- Receiver
 - RX-DET-AF 280
 - RSSI 280
 - FE-BIAS 288
 - SOL-SET 283
 - SOL-DET 283
 - WB-WB 282

© TAIT ELECTRONICS
 ORCA :TP010- 336-400MHZ
 PROCESSOR
 220-01503-01 G 2-SC-3
 PROJECT: DESIGNER: FILE NAME: FILE DATE: NO. SHEETS
 ORCA BRD 150301g 7-Feb-00 7

REV/ISS	ORIGINAL	AMENDMENTS	DRAWN	CHKD	D.O.	APV/D	DATE
P1			DBH				

Toms Can



© TAIT ELECTRONICS
 ORCA :TP010- 336-400MHZ SYNTHESISER
 IPN: 220-01503-01 ISSUE: G ID: 2.SC. 4
 PROJECT: ORCA DESIGNER: BRD FILE NAME: 150301g FILE DATE: 7-Feb-00 NO.SHEETS: 7

REV/ISS	AMENDMENTS	DRAWN	CHKD	D.O.	APVD	DATE

VCO
 3014 GND SHEET 5

+14V-REG
 SHEET 6 GND 3360

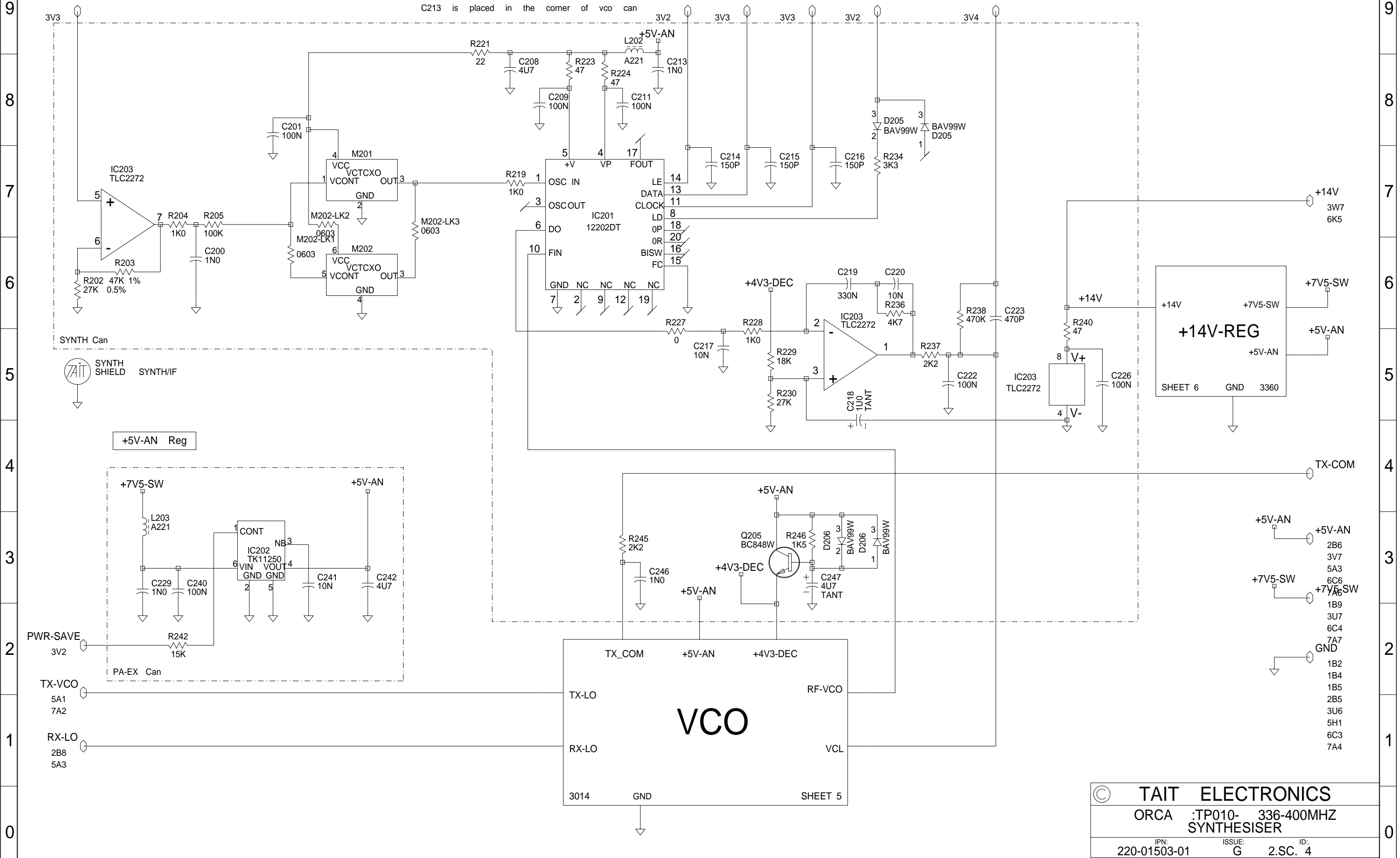
+5V-AN Reg

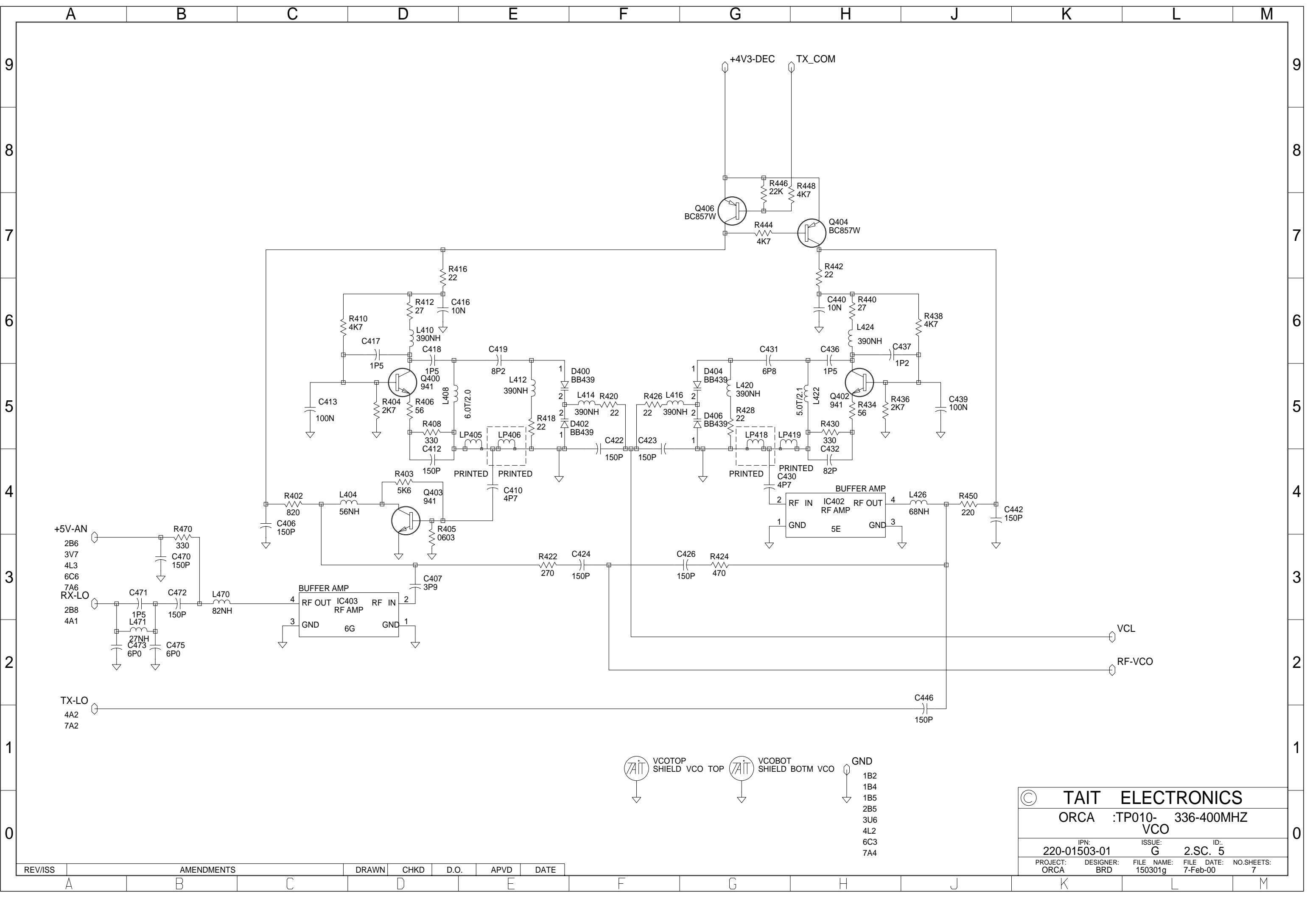
+7V5-SW
 PA-EX Can

TCXO-MOD

/SY-EN SY-DAT SY-CLK LCK-DET VCO-MOD

C213 is placed in the corner of vco can

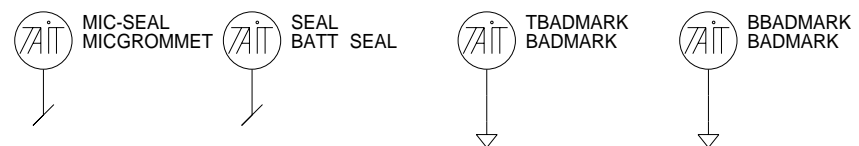
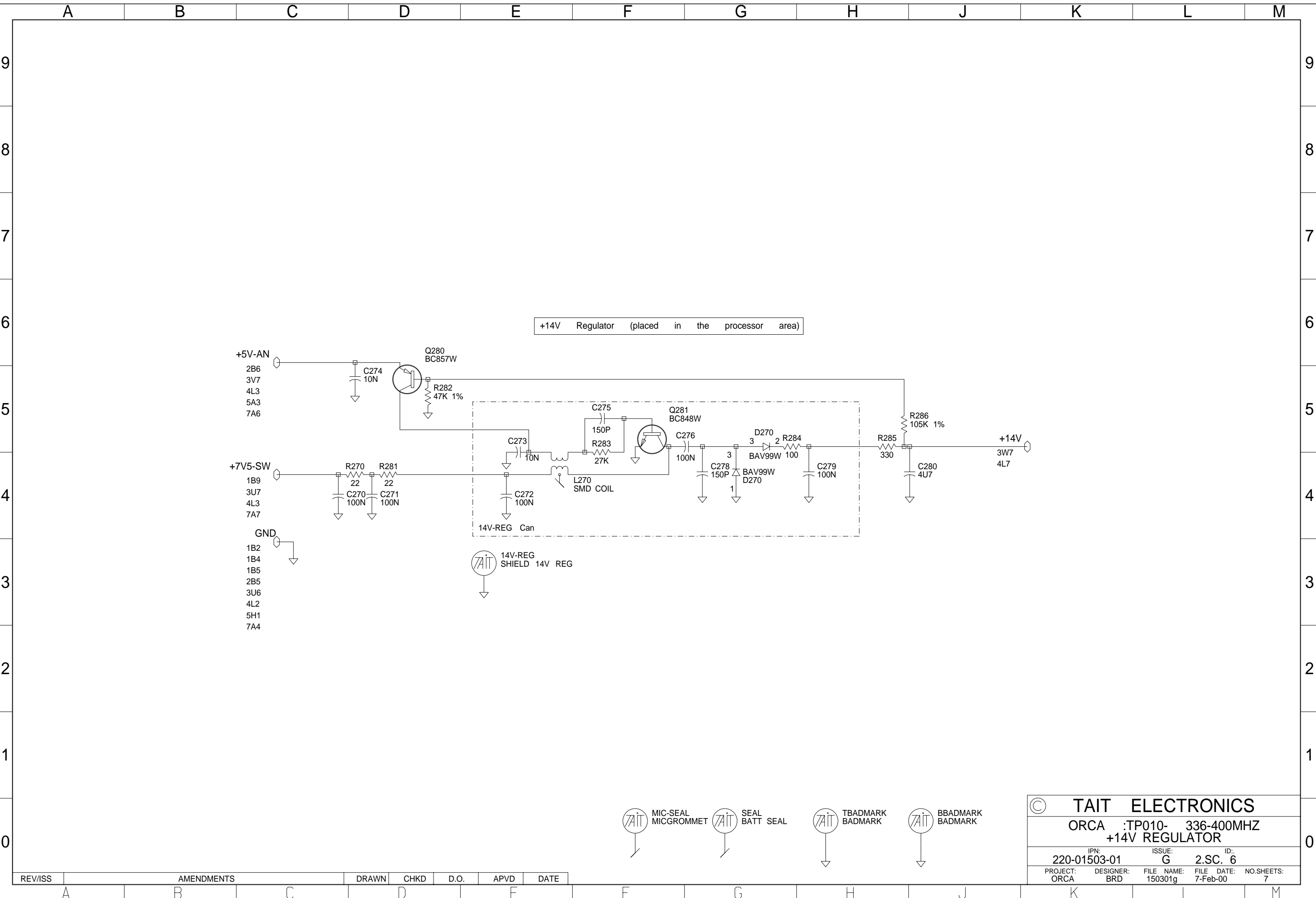




- VCOTOP SHIELD VCO TOP
- VCOBOT SHIELD BOTM VCO
- GND
- 1B2
- 1B4
- 1B5
- 2B5
- 3U6
- 4L2
- 6C3
- 7A4

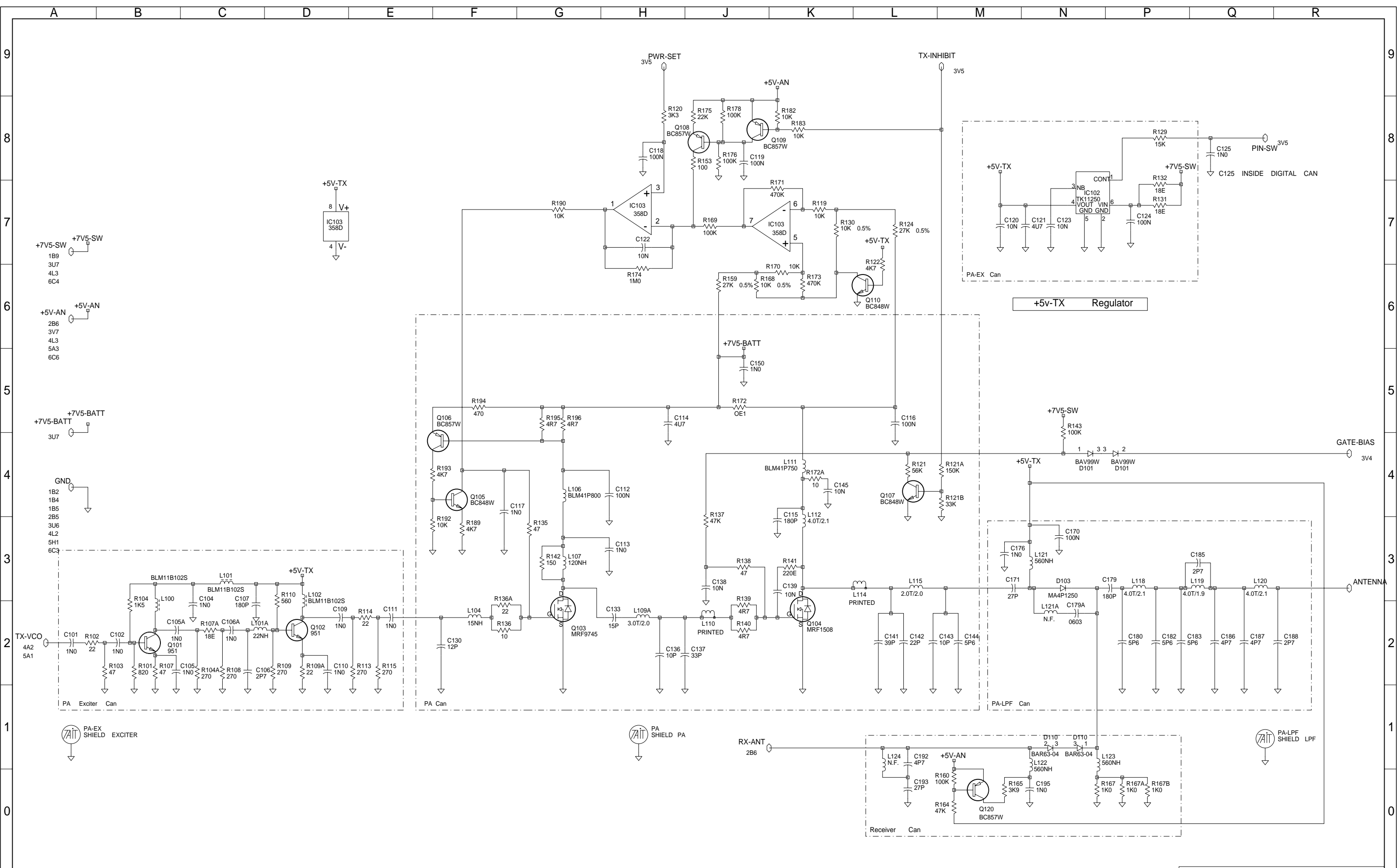
© TAIT ELECTRONICS
 ORCA :TP010- 336-400MHZ
 VCO
 IPN: 220-01503-01 ISSUE: G ID: 2.SC. 5
 PROJECT: ORCA DESIGNER: BRD FILE NAME: 150301g FILE DATE: 7-Feb-00 NO.SHEETS: 7

REV/ISS	AMENDMENTS	DRAWN	CHKD	D.O.	APVD	DATE



© TAIT ELECTRONICS				
ORCA :TP010- 336-400MHZ +14V REGULATOR				
IPN: 220-01503-01		ISSUE: G		ID: 2.SC. 6
PROJECT: ORCA	DESIGNER: BRD	FILE NAME: 150301g	FILE DATE: 7-Feb-00	NO.SHEETS: 7

REV/ISS	AMENDMENTS	DRAWN	CHKD	D.O.	APVD	DATE



© TAIT ELECTRONICS
 ORCA :TP010- 336-400MHZ
 LOWCOST T3010

IPN: 220-01503-01	ISSUE: G	ID: 2.S.C. 7
PROJECT: ORCA	DESIGNER: BRD	FILE NAME: 150301g
		FILE DATE: 7-Feb-00
		NO.SHEETS: 7

03A						
REV/ISS	AMENDMENTS	DRAWN	CHKD	D.O.	APVD	DATE